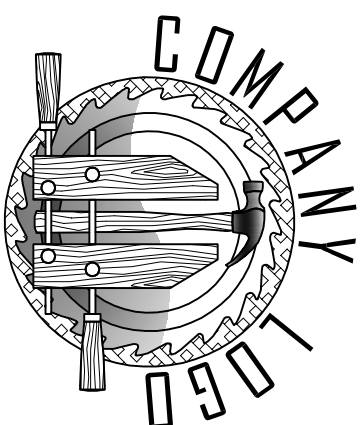


PROJECT NAME:

Dr. Bernacki  
300 Polaris Pwy, Suite 2600  
Westerville, Ohio 43082

CASEWORK MANUFACTURER:



Street Address  
City, State Zip  
Phone: XXX.XXX.XXXX  
Fax: XXX.XXX.XXXX

PROJECT NUMBER  
110831

ARCHITECT:

Carney Ranker Architects  
5980 Wilcox place, suite j, dublin, oh 43016  
Phone: 614.792.1000 FAX: 614.792.1001

GENERAL CONTRACTOR:

Equity  
455 Hutchinson Ave, Columbus, OH 43235  
Phone: 614.802.2900 FAX: 614.802.2901

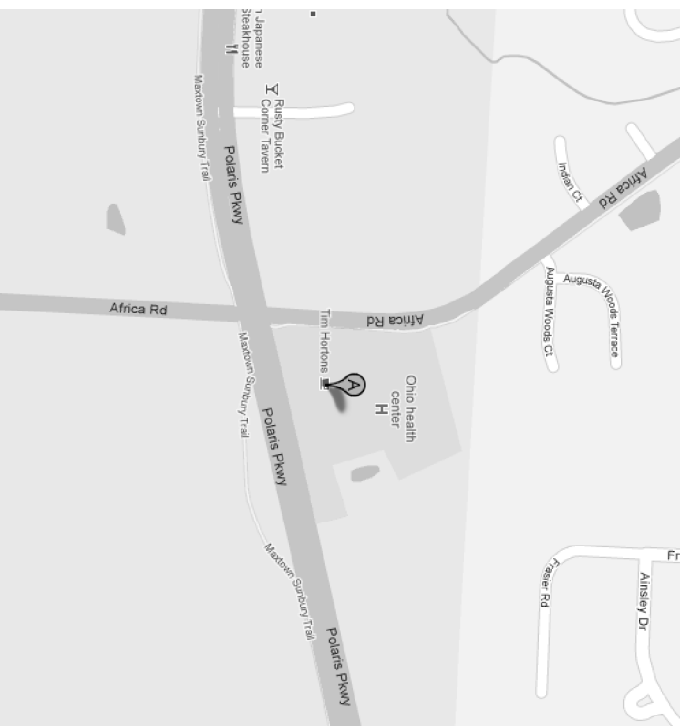
DATE:

09-07-2011

REVISIONS:

DRAWN BY:  
Shoppdrawingz.com

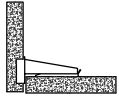
SITE MAP:



JOB NOTES:

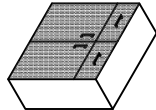
- ALL FIELD MEASUREMENT TO BE VERIFIED BEFORE MANUFACTURING CAN BEGIN.
- CASEWORK MANUFACTURE IS NOT RESPONSIBLE FOR THE IDENTIFICATION OR APPLICATION OF ADA OR BUILDING CODE REQUIREMENTS INTO THE FINAL MILLWORK DESIGN.

- ① - HINGE STYLE / CABINET DESIGN
- EUROPEAN STYLE HINGE  
FULL OVERLAY CONCEALED HINGE  
110 DEGREE OPENING



- ② - CABINET FACE

VERTICAL GRADE HIGH PRESSURE LAMINATE  
.028" THICKNESS



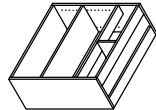
- ③ - CABINET DOOR / DRAWER FRONT EDGE

PVC MATCHING FACE COLOR ( IF AVAILABLE )  
.018 " THICKNESS ( .5 mm ) ALL FOUR EDGES  
OTHERWISE SELF EDGE OR OTHER COLOR CHOICE



- ④ - CABINET BODY FRONT EDGE

PVC MATCHING FACE COLOR ( IF AVAILABLE )  
.018 " THICKNESS ALL FOUR EDGES  
OTHERWISE SELF EDGE



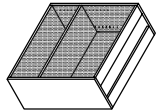
- ⑤ - CABINET LOCKS / KEYING REQUIREMENTS

CAM LOCKS DISC TUMBLER  
144 NICKEL FINISH

Not Applicable for this job.

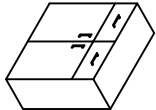
- ⑥ - CABINET / OPEN INTERIOR

EXPOSED SURFACES PLASTIC LAMINATE  
.028" THICKNESS U.N.O.



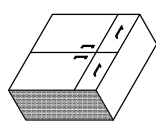
- ⑦ - CABINET / CLOSED INTERIOR

THERMALLY FUSED MELAMINE  
WHITE 3/4" THICK



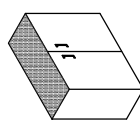
- ⑧ - CABINET / EXPOSED SIDES

EXPOSED SURFACES PLASTIC LAMINATE  
.028" THICKNESS U.N.O.



- ⑨ - CABINET / WALL BOTTOMS

EXPOSED SURFACES PLASTIC LAMINATE  
.028" THICKNESS W/ PVC EDGES U.N.O.



- ⑩ - HANDLE / PULL

4" WIRE 260 BRUSHED CHROME FINISH



- ⑪ - CABINET DRAWER

BLUM METABOX WHITE  
SEE HARDWARE SPECIFICATION FOR FILE SYSTEM



- ⑫ - CABINET ADJUSTABLE SHELVING

THERMALLY FUSED MELAMINE  
WHITE 3/4" THICK  
1" THICK OVER 30"  
.018 PVC FRONT EDGE



- ⑬ - CABINET TOEKICK

CONTINUOUS 3/4" PLYWOOD  
UNFINISHED U.N.O.



### Hardware Specification

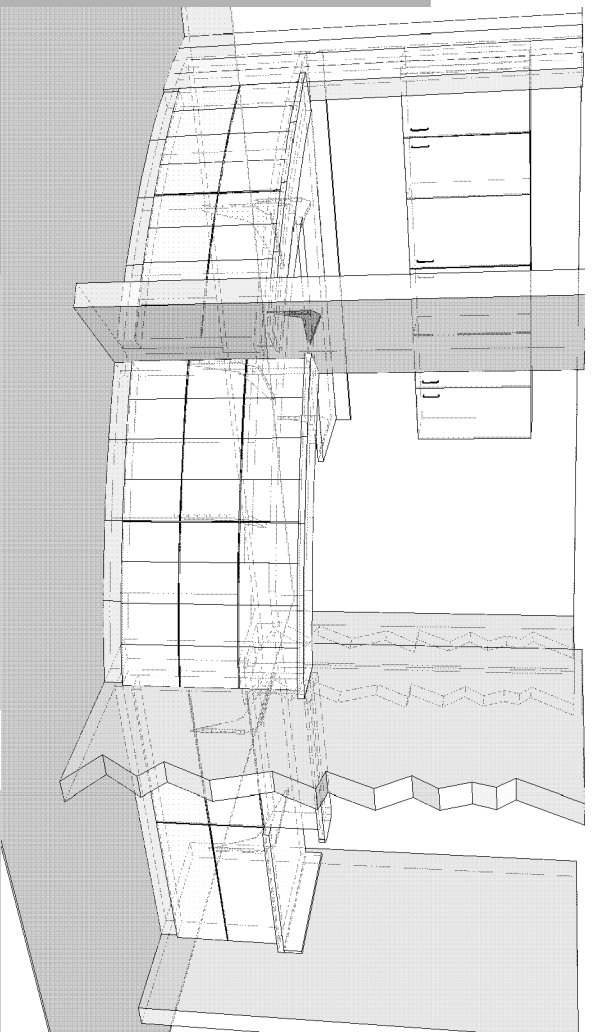
No.	Item	Manufacture	Model Number	Notes/Finish/Application
1	Drawer Slides	Julius Blum	320M500C1530	Metabox Medium (4")
2	Drawer Slides	Julius Blum	320H500C1530	Metabox High (6")
3	Drawer Slides	Julius Blum	330H500C1530	Metabox High (6") Full Extension
4	Concealed Hinge	Llamma (Boer)	TT248.0U70.050	Full overlay, cam adjust
5	Drawer/Door Pull	Boer Wuerth	ZZ6130-2SC-P	Satin Chrome 4" Wire Pull
6	File System (Letter)	CompX	TLFFSK2	Integral heavy duty
7	File System (Legal)	CompX	TLFFSK3	Integral heavy duty
8	Cabinet Lock	CompX	NLC8053KA415-4G	Disk Tumbler, Cam Lock, Bright Nickel finish
9	Shelf Standard, Heavy Duty	Knape Vogt (Boer)	KV185	Heavy Duty Anochrome
10	Shelf Bracket, Heavy Duty	Knape Vogt (Boer)	KV185A	Heavy Duty Anochrome
11	Counter Supports	A&M Hardware	1521	Metal Counter Support, Heavy Duty
12	Shelf Pins	Boer Wuerth	IF711NP	5mm, Nickel Finish
13	Drawer/Door Bumper	Boer Wuerth	GFSBP-C	1/8" Clear Bumper

Street Address  
City, State Zip  
Phone: XXX.XXX.XXXX  
Fax: XXX.XXX.XXXX

JOB NUMBER: 110831  
PROJECT: Dr. Bernacki  
300 Polaris Pwy, Suite 2600  
Westerville, Ohio 43082

DATE: 09-07-2011  
SCALE: N/A  
REVISIONS:  
DRAWN BY: Shopdrawingz.com  
SHEET NO.

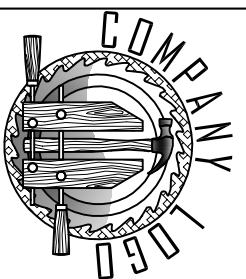




REFER TO ARCHITECTURAL FLOOR FOR ROOM LOCATION

CABINET INTERIOR COLOR: WHITE MELAMINE  
 CABINET EXTERIOR COLOR: PIONITE WX421-H Witchcraft  
 CABINET DOOR/DWF COLOR: PIONITE

COUNTERTOP COLOR: TBD  
 COUNTERTOP EDGE COLOR: TBD  
 GRANITE AS INDICATED: TBD



Street Address  
 City, State Zip  
 Phone: XXX.XXX.XXXX  
 Fax: XXX.XXX.XXXX

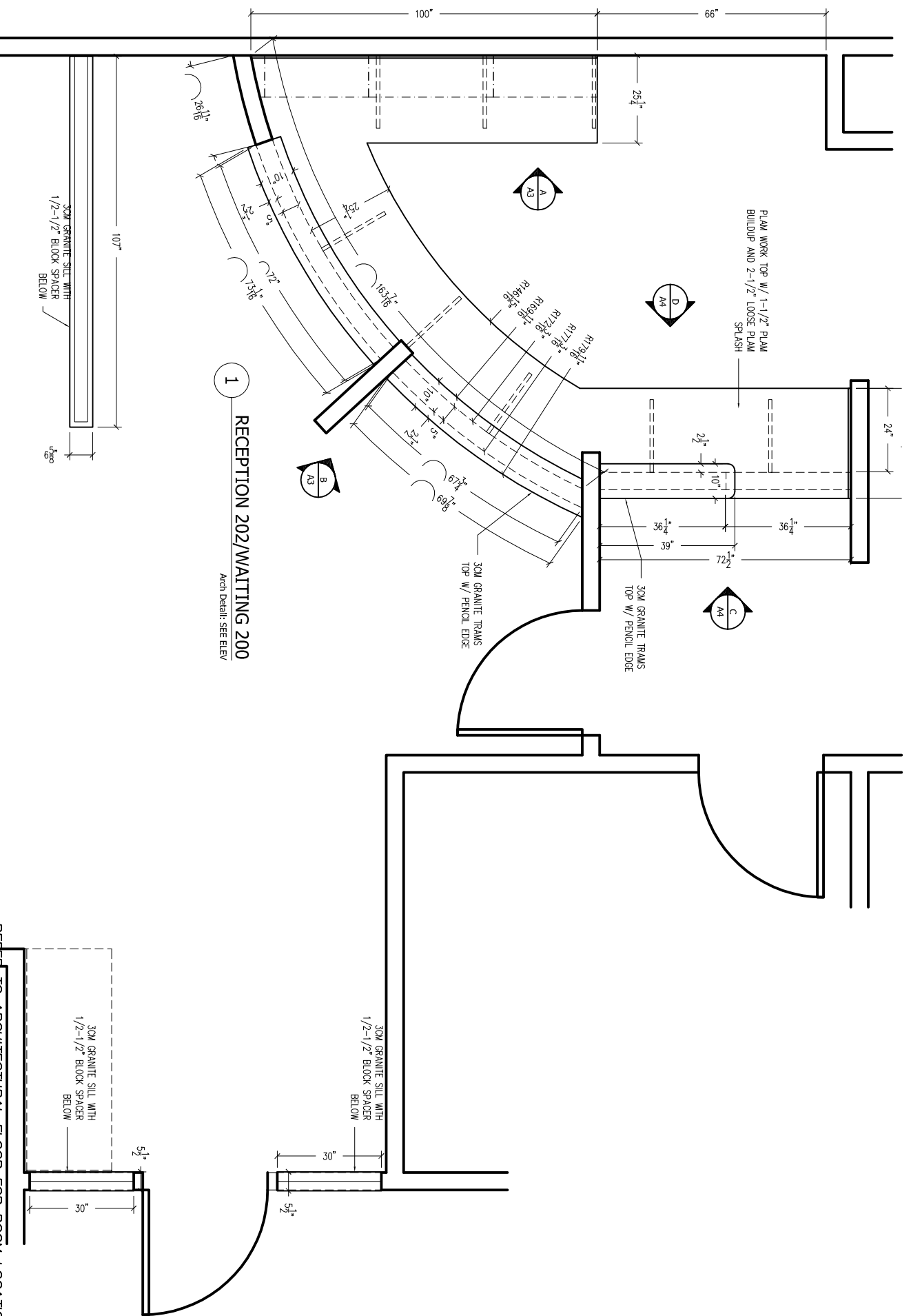
JOB NUMBER: 110831  
 PROJECT: Dr. Bernacki  
 300 Polaris Pwy, Suite 2600  
 Westerville, Ohio 43082

DATE: 09-07-2011

SCALE

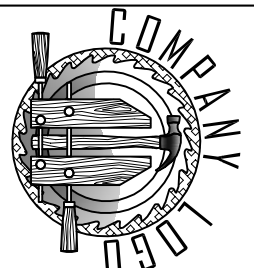
REVISIONS:  
 DRAWN BY: Shopdrawingz.com  
 SHEET NO.

**A1**



CABINET INTERIOR COLOR: WHITE MELAMINE  
 CABINET EXTERIOR COLOR: PIONITE WX421-H Witchcraft  
 CABINET DOOR/DWF COLOR: PIONITE

COUNTERTOP COLOR: TBD  
 COUNTERTOP EDGE COLOR: TBD  
 GRANITE AS INDICATED: TBD



Street Address  
 City, State Zip  
 Phone: XXX.XXX.XXXX  
 Fax: XXX.XXX.XXXX

JOB NUMBER: 110831  
 PROJECT: Dr. Bernacki  
 300 Polaris Pwy, Suite 2600  
 Westerville, Ohio 43082

DATE: 09-07-2011

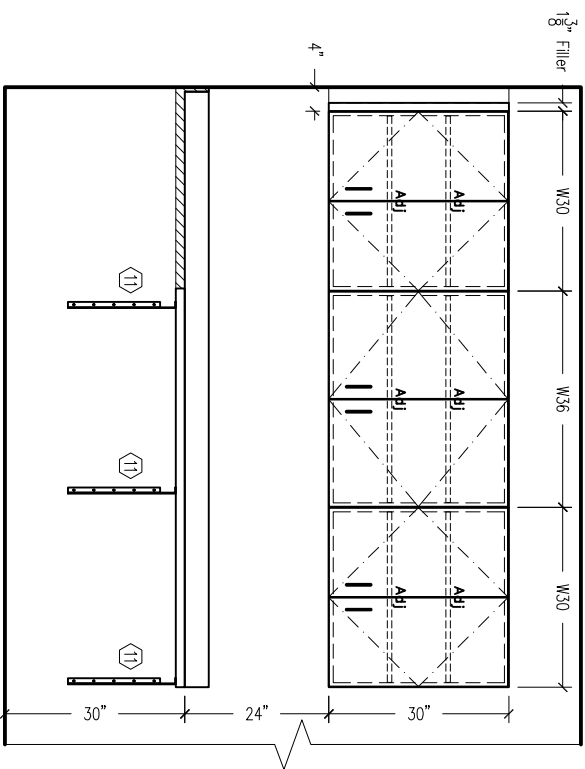
SCALE

REVISIONS:

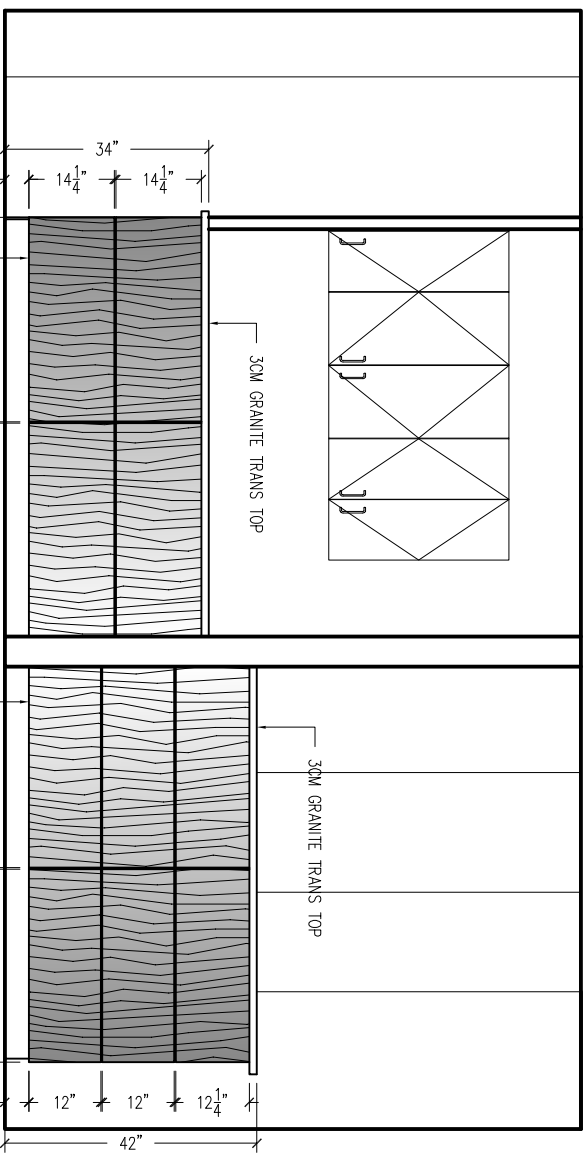
DRAWN BY: Shopdrawingz.com

SHEET NO.

**A2**



**A** RECEPTION 202/WAITING 200  
Arch Detail: H/A1.01

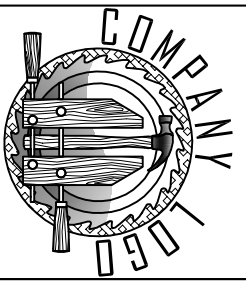


**B** RECEPTION 202/WAITING 200  
Arch Detail: D/A1.01

CABINET INTERIOR COLOR: WHITE MELAMINE  
CABINET EXTERIOR COLOR: PIONITE WX421-H Witchcraft  
CABINET DOOR/DWF COLOR: PIONITE

COUNTERTOP COLOR: TBD  
COUNTERTOP EDGE COLOR: TBD  
GRANITE AS INDICATED: TBD

REFER TO ARCHITECTURAL FLOOR FOR ROOM LOCATION



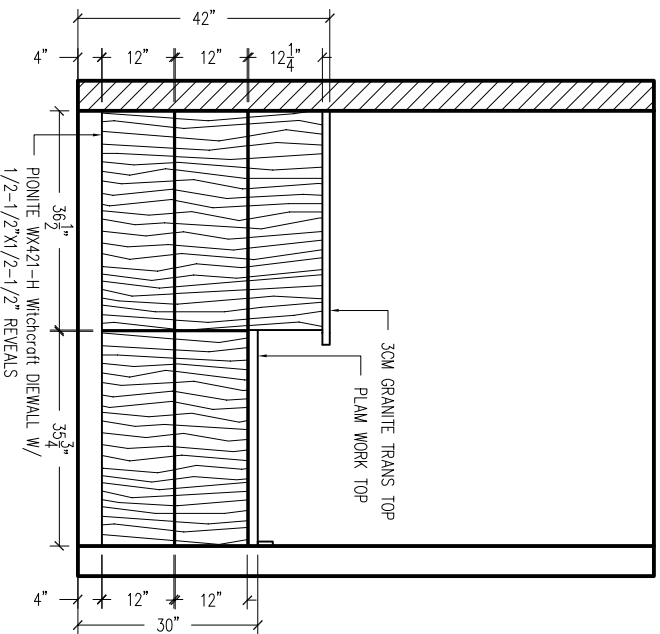
Street Address  
City, State Zip  
Phone: XXX.XXX.XXXX  
Fax: XXX.XXX.XXXX

JOB NUMBER: 110831  
PROJECT: Dr. Bernacki  
300 Polaris Pwy, Suite 2600  
Westerville, Ohio 43082

DATE: 09-07-2011  
SCALE: 3/8"=1'-0"

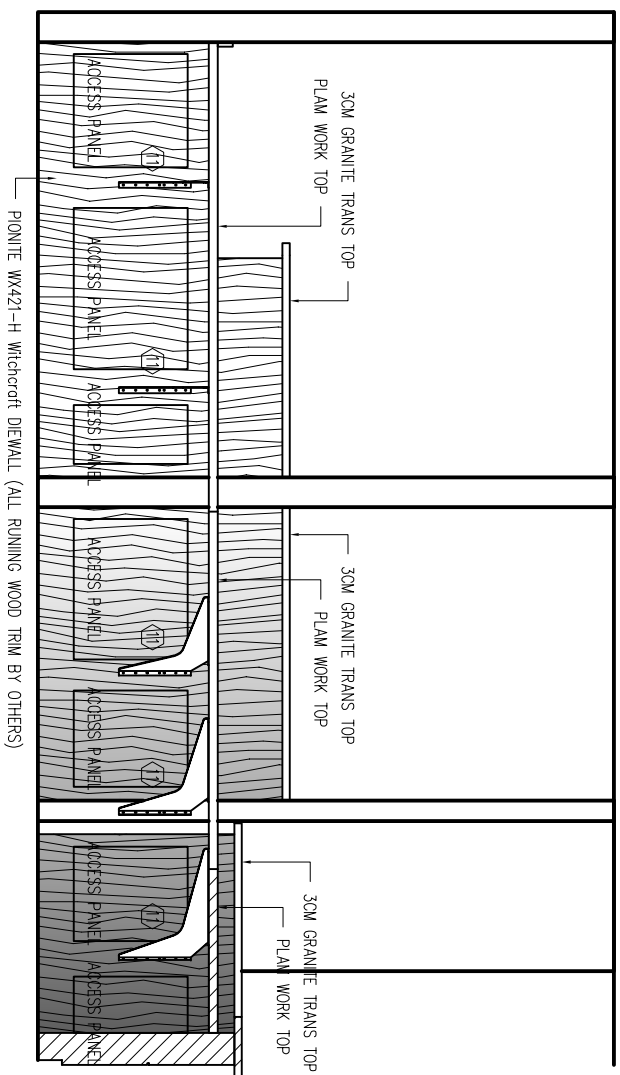
REVISIONS:  
DRAWN BY: Shopdrawingz.com  
SHEET NO.

**A3**



**C** RECEPTION 202/WAITING 200  
Arch Detail: E/A1.01

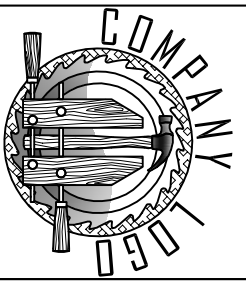
CABINET INTERIOR COLOR: WHITE MELAMINE  
 CABINET EXTERIOR COLOR: PIONITE WX421-H Witchcraft  
 CABINET DOOR/DWF COLOR: PIONITE



**D** RECEPTION 202/WAITING 200  
Arch Detail: R8G/A1.01

COUNTERTOP COLOR: TBD  
 COUNTERTOP EDGE COLOR: TBD  
 GRANITE AS INDICATED: TBD

REFER TO ARCHITECTURAL FLOOR FOR ROOM LOCATION



Street Address  
 City, State Zip  
 Phone: XXX.XXX.XXXX  
 Fax: XXX.XXX.XXXX

JOB NUMBER: 110831  
 PROJECT: Dr. Bernacki  
 300 Polaris Pwy, Suite 2600  
 Westerville, Ohio 43082

DATE: 09-07-2011

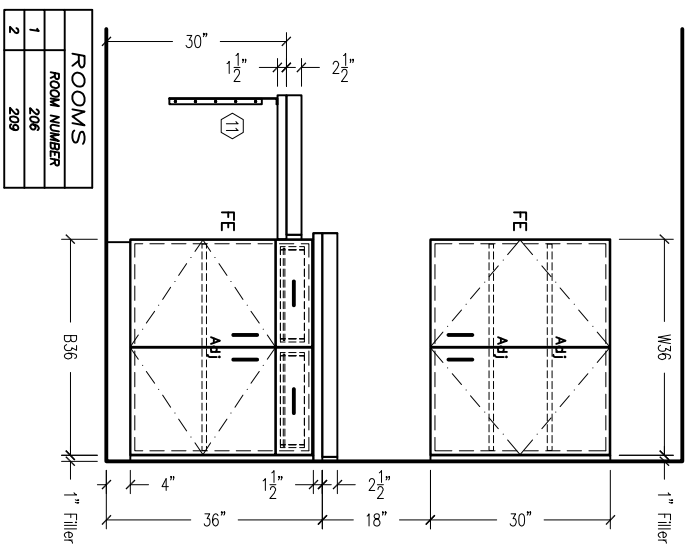
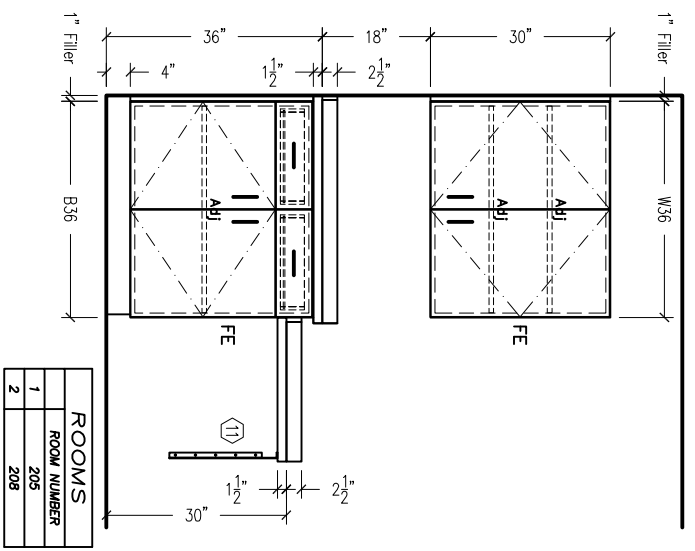
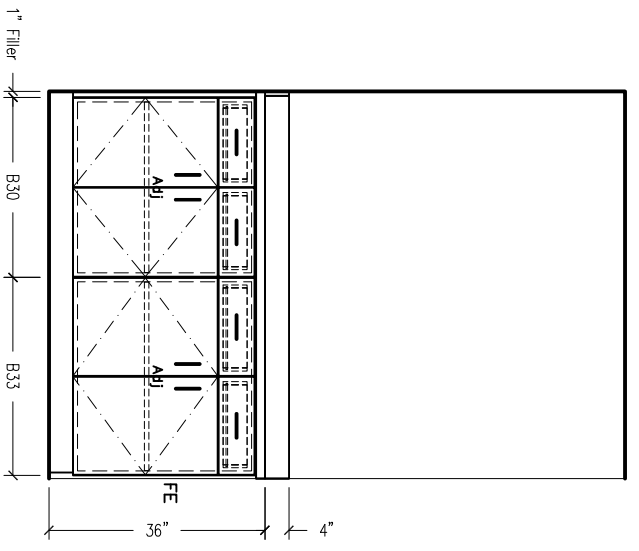
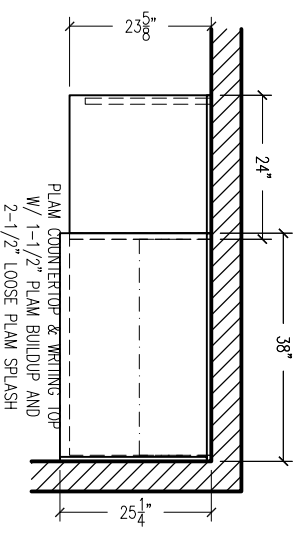
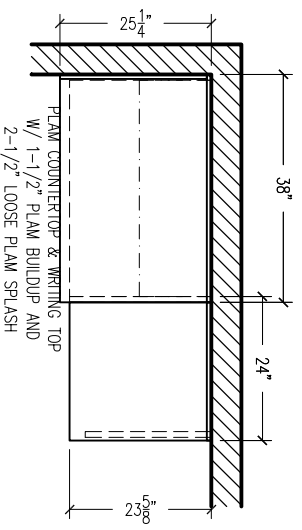
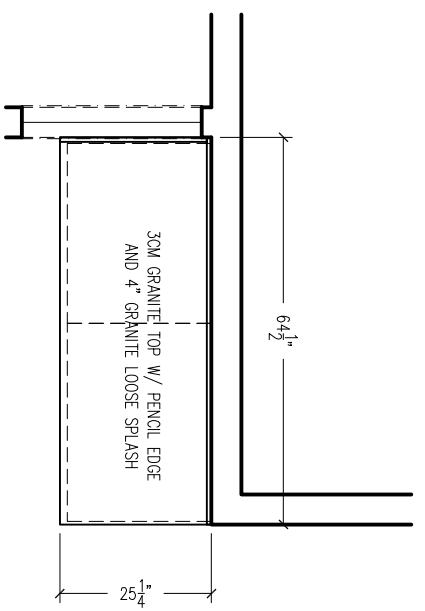
SCALE: 3/8"=1'-0"

REVISIONS:

DRAWN BY: Shopdrawingz.com

SHEET NO.

**A4**



**2** WAITING 200  
Arch Detail: C/A1.01

**3** TYP EXAM (LEFT)  
Arch Detail: J/A1.01

**4** TYP EXAM (RIGHT)  
Arch Detail: J/A1.01

CABINET INTERIOR COLOR: WHITE MELAMINE  
 CABINET EXTERIOR COLOR: PIONITE WX421-H Witchcraft  
 CABINET DOOR/DWF COLOR: PIONITE

COUNTERTOP COLOR: TBD  
 COUNTERTOP EDGE COLOR: TBD  
 GRANITE AS INDICATED: TBD

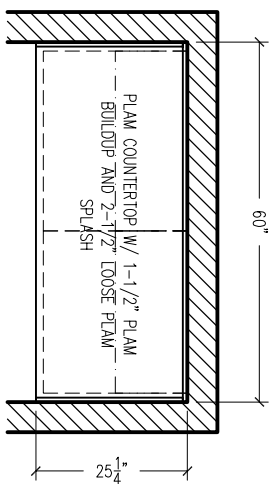
REFER TO ARCHITECTURAL FLOOR FOR ROOM LOCATION

JOB NUMBER: 110831  
 PROJECT: Dr. Bernacki  
 300 Polaris Pwy, Suite 2600  
 Westerville, Ohio 43082

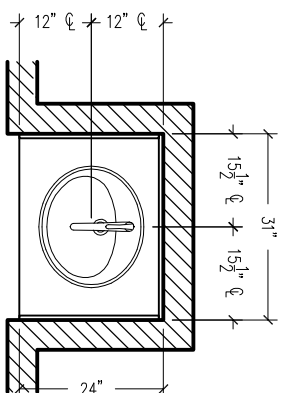
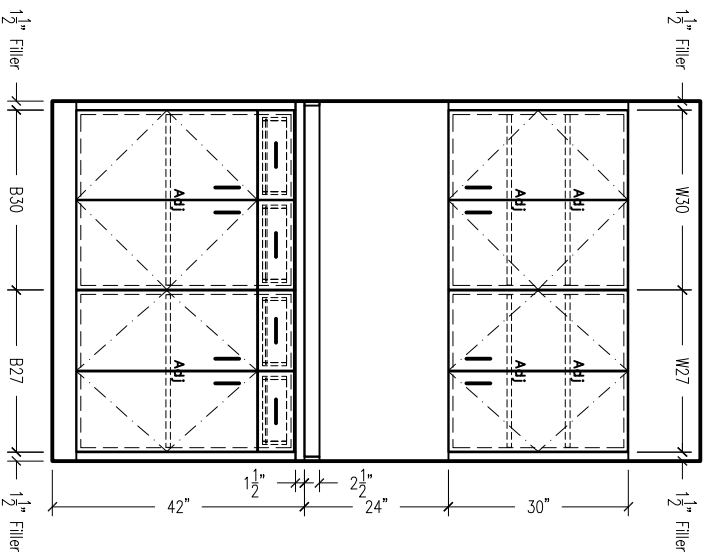
DATE: 09-07-2011  
 SCALE: 3/8" = 1'-0"

REVISIONS:  
 DRAWN BY: Shopdrawingz.com  
 SHEET NO.

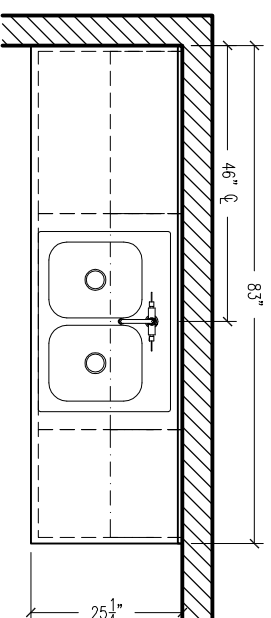
**AS**



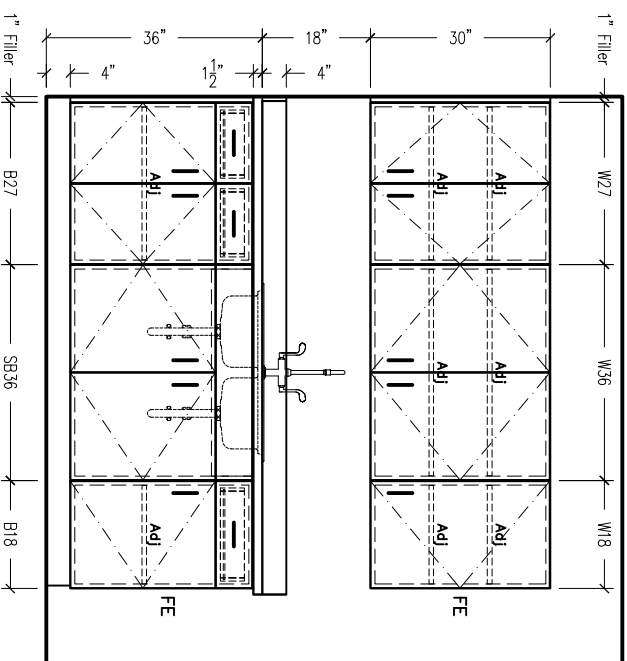
1 1/2" Filler



3CM GRANITE VANITY TOP  
W/ PENCIL EDGE AND 4"  
GRANITE LOOSE SPLASH



PLAM COUNTERTOP W/ 1-1/2"  
BUILDUP AND 4" LOOSE PLAM SPLASH



**5 CHARTS 207**  
Arch Detail: K/A1.01

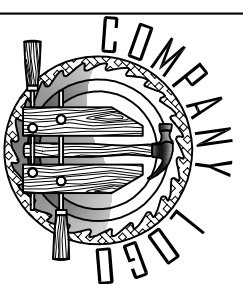
**6 CORRIDOR 210**  
Arch Detail: L/A1.01

**7 PROCEDURE 213**  
Arch Detail: M/A1.01

CABINET INTERIOR COLOR: WHITE MELAMINE  
CABINET EXTERIOR COLOR: PIONITE WX421-H Witchcraft  
CABINET DOOR/DWF COLOR: PIONITE

COUNTERTOP COLOR: TBD  
COUNTERTOP EDGE COLOR: TBD  
GRANITE AS INDICATED: TBD

REFER TO ARCHITECTURAL FLOOR FOR ROOM LOCATION



Street Address  
City, State Zip  
Phone: XXX.XXX.XXXX  
Fax: XXX.XXX.XXXX

JOB NUMBER: 110831  
PROJECT: Dr. Bernacki  
300 Polaris Pwy, Suite 2600  
Westerville, Ohio 43082

DATE: 09-07-2011

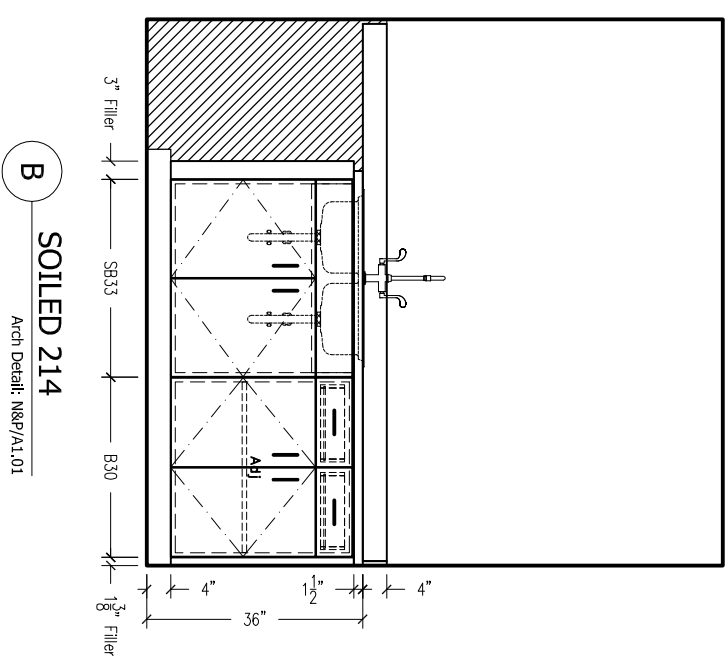
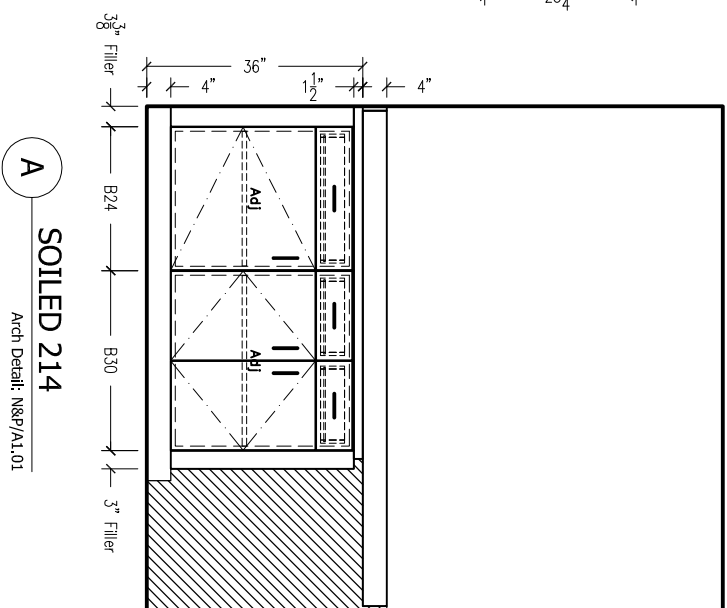
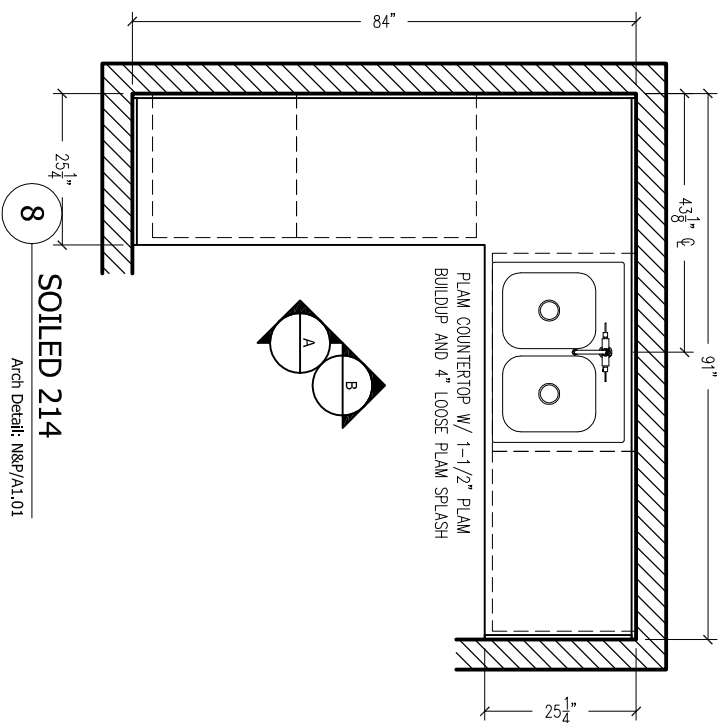
SCALE: 3/8" = 1'-0"

REVISIONS:

DRAWN BY: Shopdrawingz.com  
SHEET NO.

**AS**

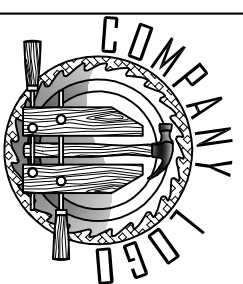




CABINET INTERIOR COLOR: WHITE MELAMINE  
 CABINET EXTERIOR COLOR: PIONITE WX421-H Witchcraft  
 CABINET DOOR/DWF COLOR: PIONITE

COUNTERTOP COLOR: TBD  
 COUNTERTOP EDGE COLOR: TBD  
 GRANITE AS INDICATED: TBD

REFER TO ARCHITECTURAL FLOOR FOR ROOM LOCATION



Street Address  
 City, State Zip  
 Phone: XXX.XXX.XXXX  
 Fax: XXX.XXX.XXXX

JOB NUMBER: 110831  
 PROJECT: Dr. Bernacki  
 300 Polaris Pwy, Suite 2600  
 Westerville, Ohio 43082

DATE: 09-07-2011

SCALE: 3/8"=1'-0"

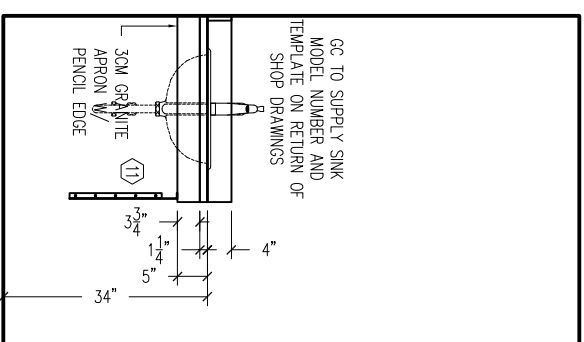
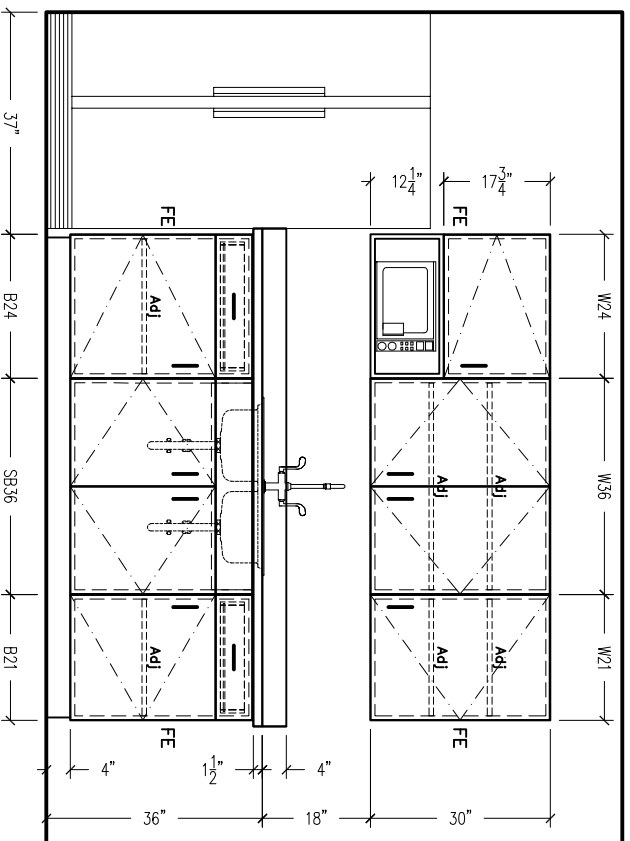
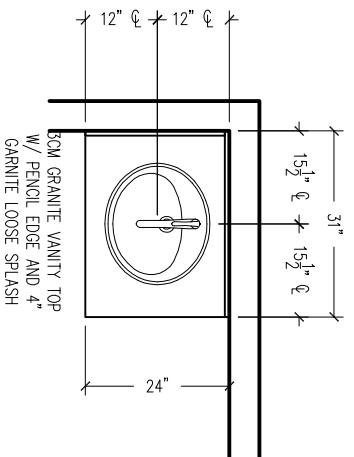
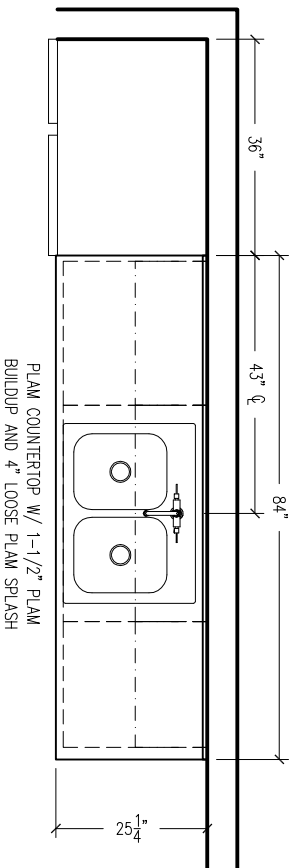
REVISIONS:

DRAWN BY:

Shopdrawingz.com

SHEET NO.

A7



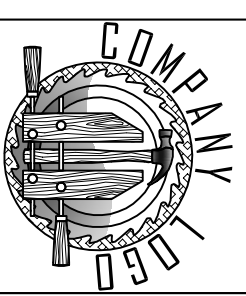
**9 BREAK ROOM 217**  
Arch Detail: Q/A1.01

**10 TOILET 219**  
Arch Detail: R/A1.01

CABINET INTERIOR COLOR: WHITE MELAMINE  
 CABINET EXTERIOR COLOR: PIONITE WX421-H Witchcraft  
 CABINET DOOR/DWF COLOR: PIONITE

COUNTERTOP COLOR: TBD  
 COUNTERTOP EDGE COLOR: TBD  
 GRANITE AS INDICATED: TBD

REFER TO ARCHITECTURAL FLOOR FOR ROOM LOCATION



Street Address  
 City, State Zip  
 Phone: XXX.XXX.XXXX  
 Fax: XXX.XXX.XXXX

JOB NUMBER: 110831  
 PROJECT: Dr. Bernacki  
 300 Polaris Pwy, Suite 2600  
 Westerville, Ohio 43082

DATE: 09-07-2011

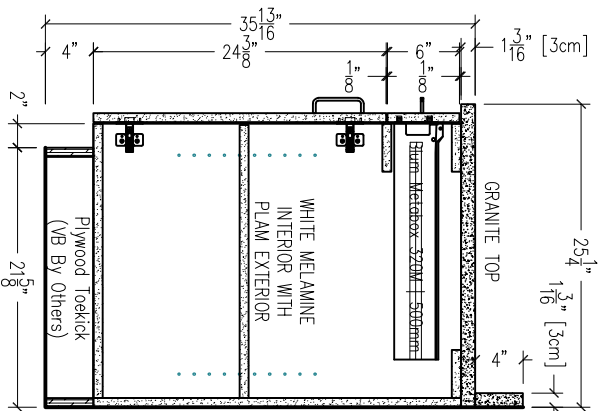
SCALE: 3/8"=1'-0"

REVISIONS:

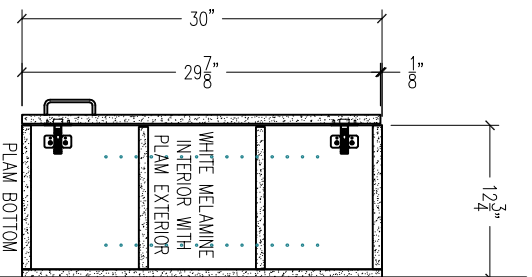
DRAWN BY: Shopdrawingz.com

SHEET NO.

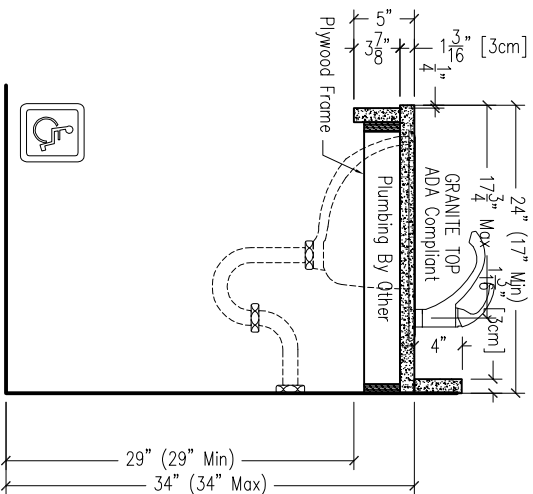
**AB**



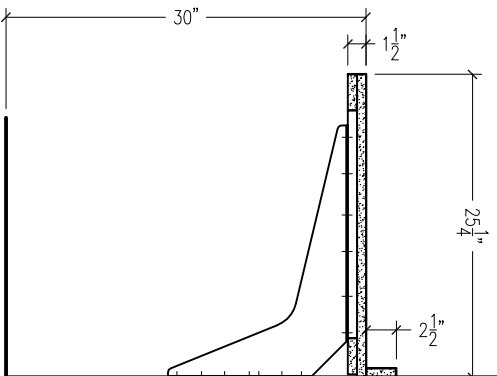
A Section View



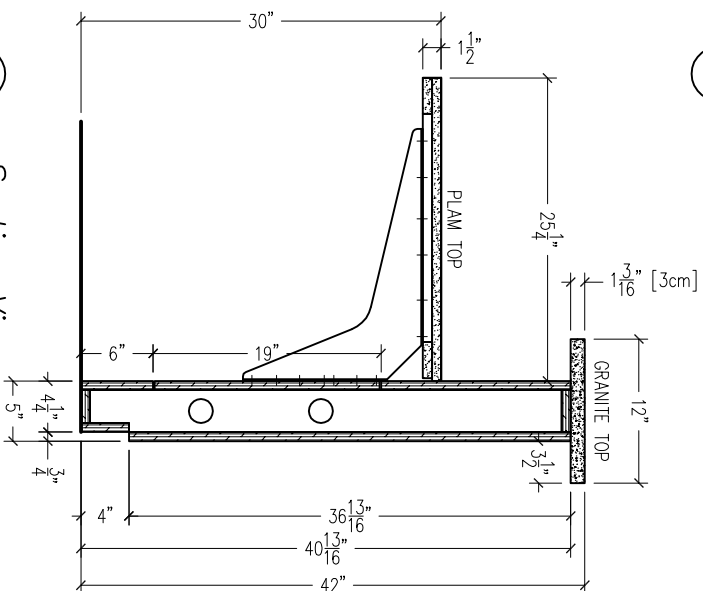
D Section View



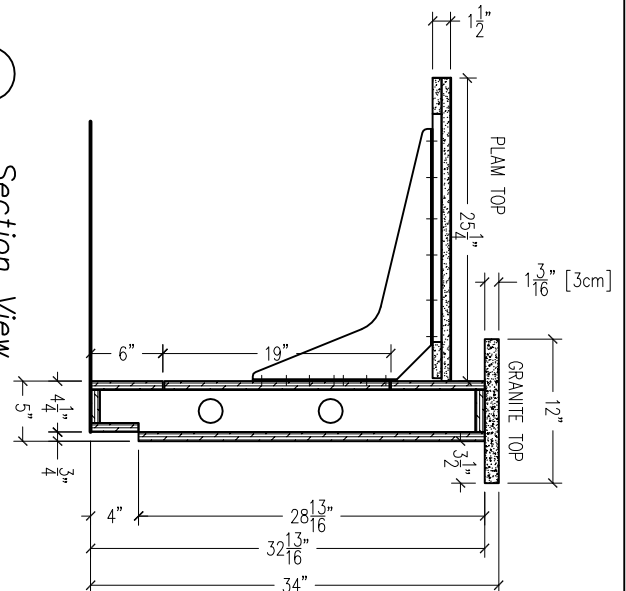
B Section View



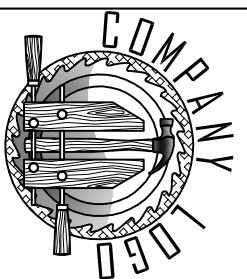
C Section View



E Section View



D Section View

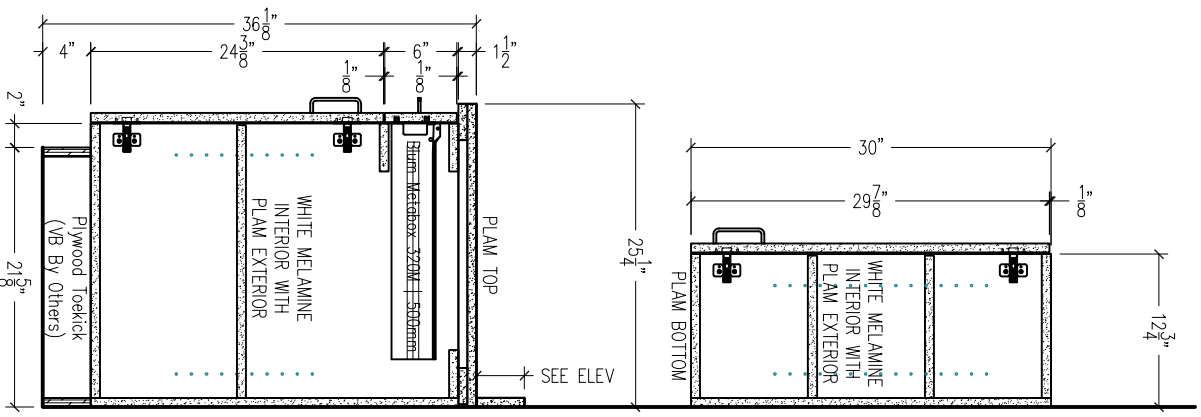


Street Address  
City, State Zip  
Phone: XXX.XXX.XXXX  
Fax: XXX.XXX.XXXX

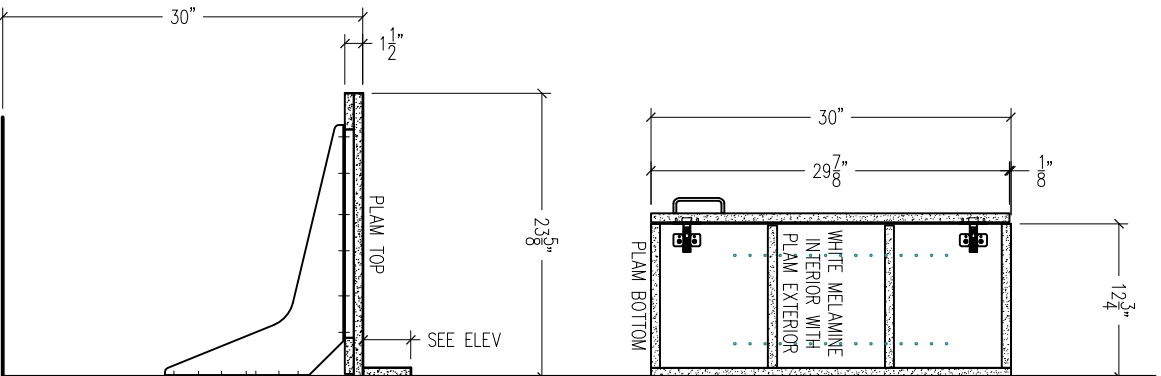
JOB NUMBER: 110831  
PROJECT: Dr. Bernacki  
300 Polaris Pwy, Suite 2600  
Westerville, Ohio 43082

DATE: 09-07-2011  
SCALE: 3/4" = 1'-0"  
REVISIONS:  
DRAWN BY: Shopdrawingz.com  
SHEET NO.

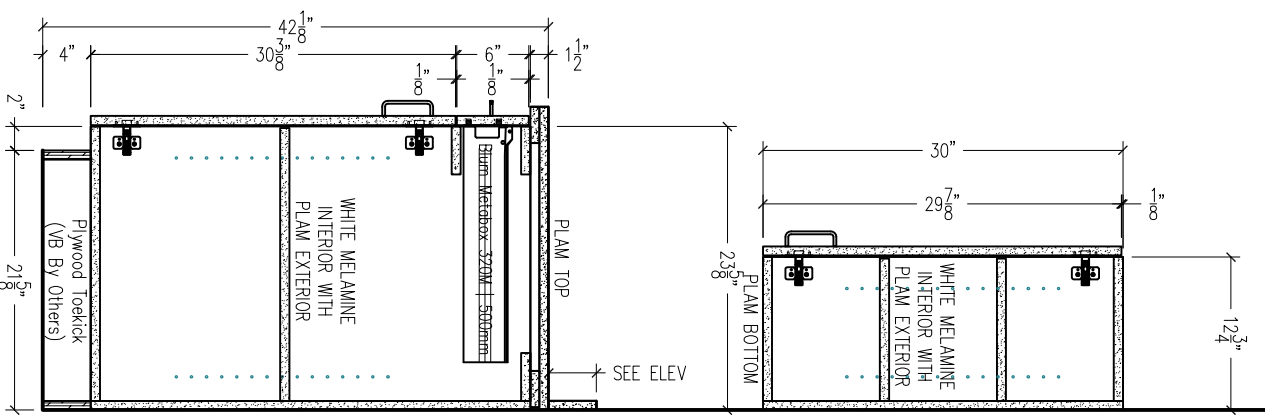
S1



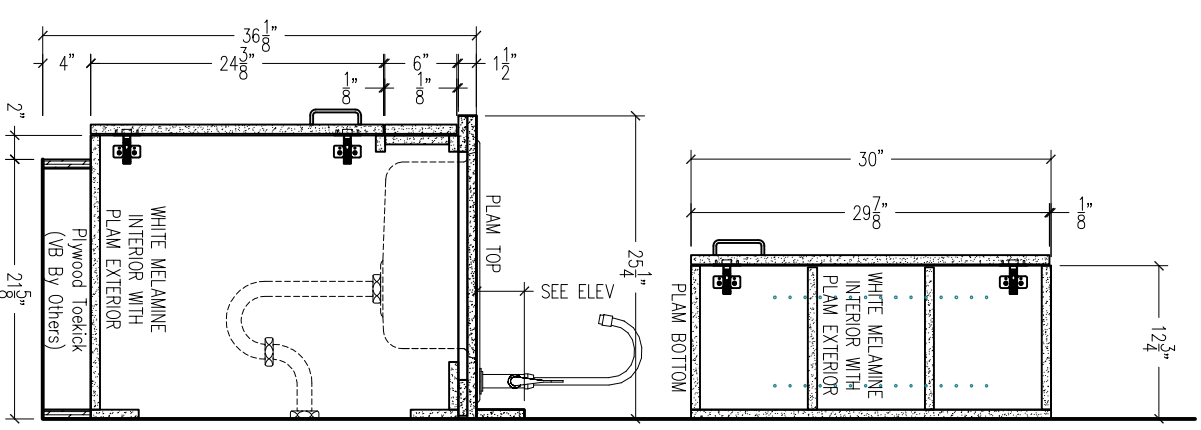
F Section View



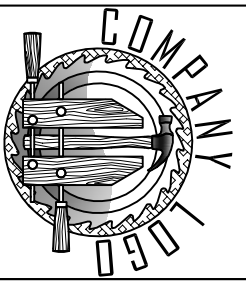
G Section View



H Section View



I Section View



Street Address  
City, State Zip  
Phone: XXX.XXX.XXXX  
Fax: XXX.XXX.XXXX

JOB NUMBER: 110831

PROJECT: Dr. Bernacki  
300 Polaris Pwy, Suite 2600  
Westerville, Ohio 43082

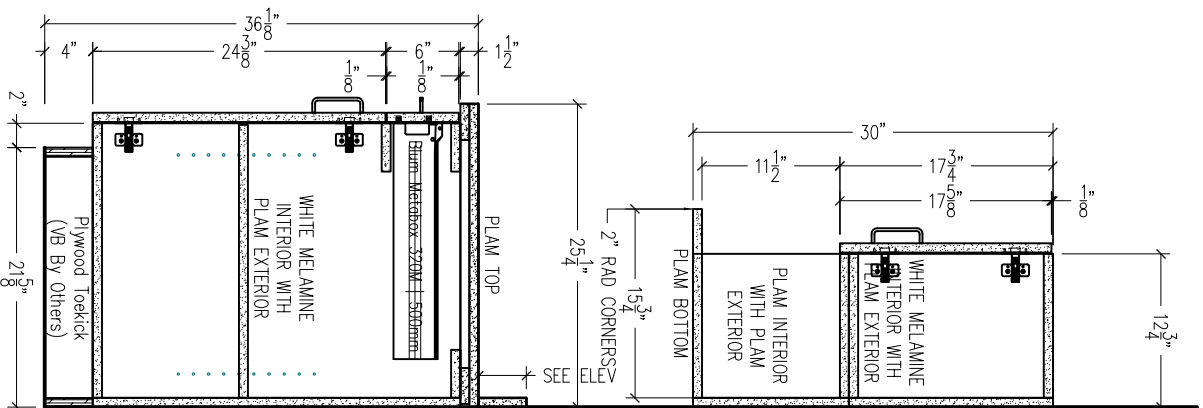
DATE:  
PROJECT:

SCALE: 3/4" = 1'-0"

REVISIONS:

DRAWN BY: Shoppdrawingz.com  
SHEET NO.

S2



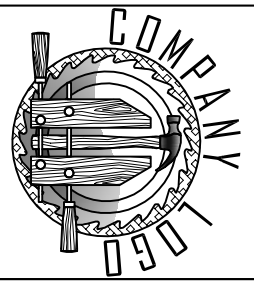
J Section View

TYP. HARDWARE LIST

1. LAMA HINGES 110 deg.
2. SHELF PINS 5mm. SPOON TYPE
3. 4" WIRE PULLS 26D FINISH
4. NATIONAL LOCKS 8053-14A
5. 20" WHITE EPOXY METABOX SLIDES
6. 20" WHITE METABOX FILE SLIDES

TYP. PRODUCT LIST

1. INTERIORS- 3/4" 2 SIDED WHITE MELA Bd.
2. 3/4" DOOR & DRAWER FRONTS  
PLAM W/ 0.5 mm PVC EDGING  
MATCHING COLOR
3. CABINET BODY .5 mm PVC EDGING  
MATCHING COLOR
4. DRAWER BODY- METABOX SYSTEM
5. VERTICAL PLAM(.028) ON FACING EXTERIOR
6. HORIZONTAL PLAM (.048) ON COUNTERTOPS
7. TOEKICK-3/4" PLWOOD(exterior glue)  
CONTINUOUS / UNFINISHED



Street Address  
City, State Zip  
Phone: XXX.XXX.XXXX  
Fax: XXX.XXX.XXXX

JOB NUMBER: 110831

Dr. Bernacki  
300 Polaris Pwy, Suite 2600  
Westerville, Ohio 43082

PROJECT:

DATE:

09-07-2011

SCALE

3/4"=1'-0"

REVISIONS:

DRAWN BY:

Shoppdrawingz.com

SHEET NO.

**SB**